

Sensor REC-01

Round Recessed PIR Sensor



Description

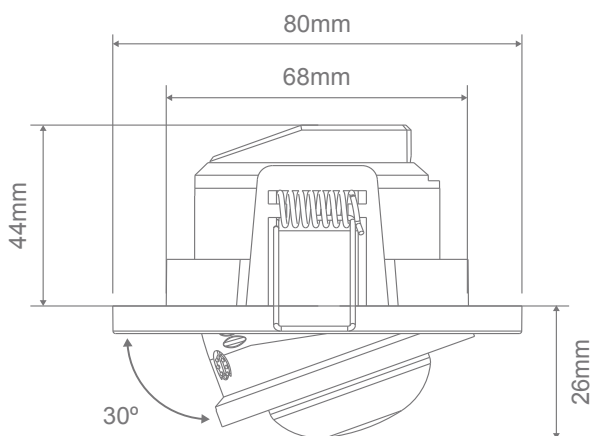
SENSOR-REC-01 is a commercial grade recessed eyeball tilt sensor that is adjustable, offering 30 degree tilt for directional detection requirements. PIR Infrared 360° occupancy motion sensor offers coverage from all angles. Recessed in design offers a sleek an less noticeable appearance. Choose from automatic mode only and automatic with manual override. Backed by a 5 Year Warranty.

Specification Features

Input Voltage:	240V AC
Power:	0.5W
IP rating (IP):	IP20
Ambient Light:	<3-2000LUX (Adjustable)
Time Delay:	Min. 10sec ± 3sec Max. 15min ± 3min
Rated Load:	Max. 400W LED
Detection Moving Speed:	0.6-1.5m/s
Detection Range:	360°
Detection Distance:	8m max (<24°C)
Working Temperature:	-20~+40°C
Working Humidity:	<93%RH
Installation Height:	2.2-4m



Diagrams / Additional



Item No.	Variant
SENSOR-REC-01	Wht 66036